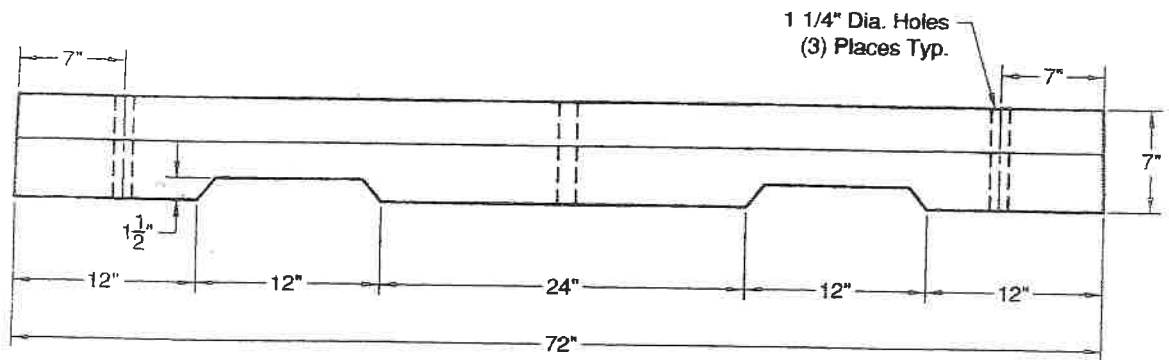
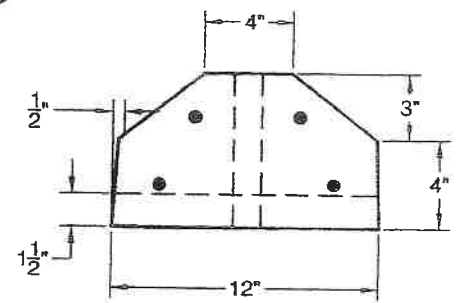
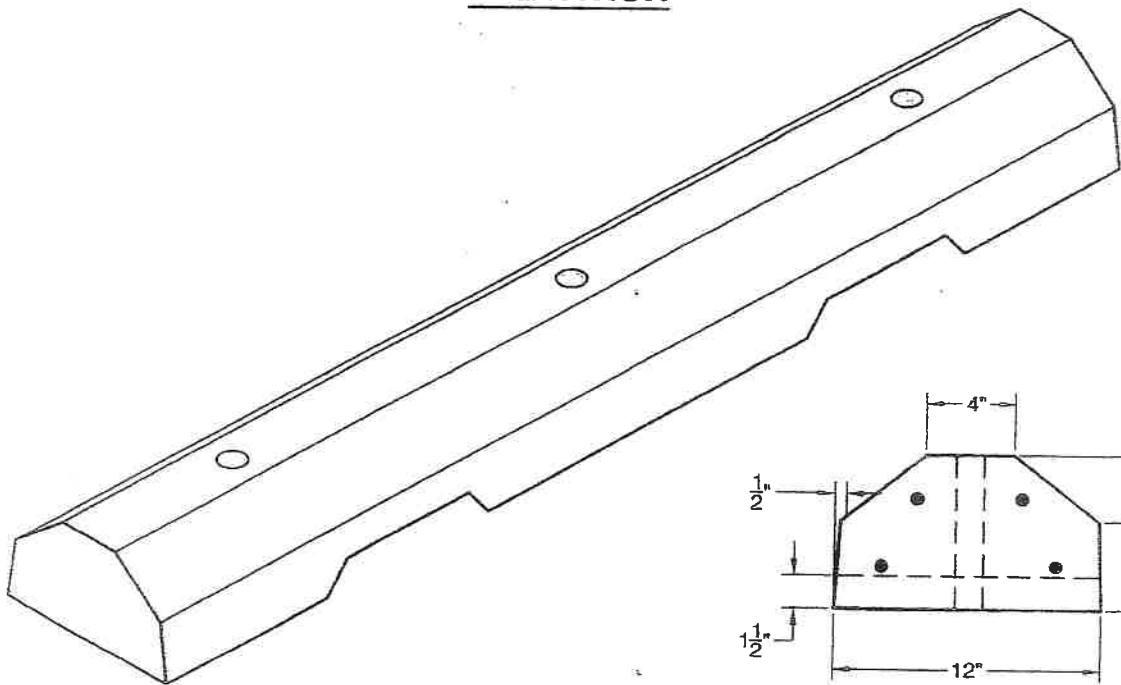




PORT STYLE WHEEL STOP



ELEVATION



SECTION