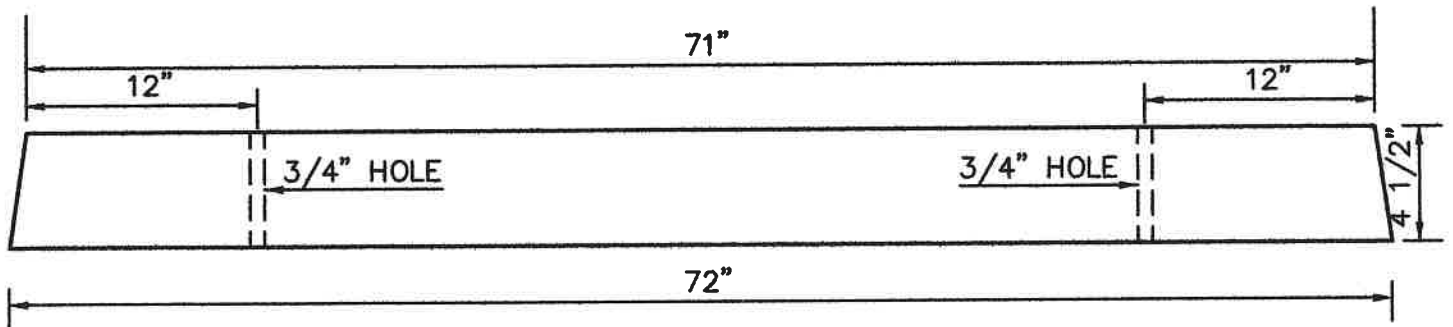
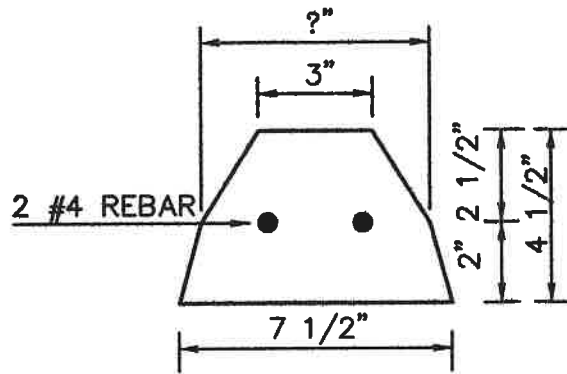




**6'L x 7 1/2"W x 4 1/2"H**  
**WEIGHT: 165 LBS**



**PRECAST CONCRETE  
WHEEL STOP**

NOT TO SCALE  
SHEET 1 OF 1