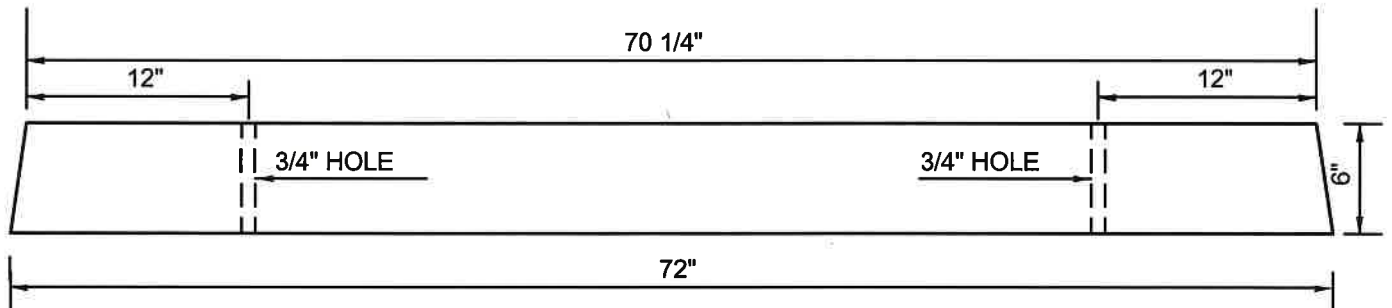
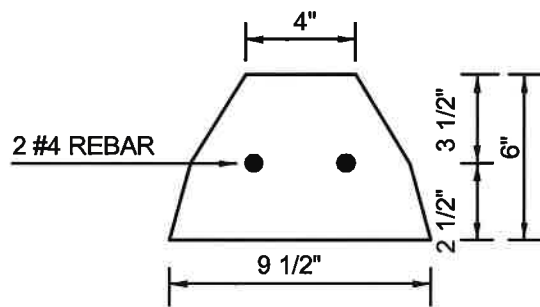




6'L x 9 1/2"W x 6"H
WEIGHT: 275 LBS



PRECAST CONCRETE
WHEEL STOP

NOT TO SCALE
SHEET 1 OF 1